

# TEAC

## SERVICE MANUAL

# MC-DX50i

Micro Hi-Fi system



### NOTES

- PC board shown are viewed from parts side.
- The parts with no reference number or no parts number in the exploded views are not supplied.
- As regards the resistors and capacitors, refer to the circuit diagrams contained in this manual.
- ⚠ Parts marked with this sign are safety critical components. they must be replaced with identical components - refer to the appropriate parts list and ensure exact replacement.
- Parts of [ ] mark can be used only with the version designated.

### CONTENTS

<b>1 SAFETY INFORMATION</b> .....	2
<b>2 SPECIFICATIONS</b> .....	3
<b>3 ADJUSTMENT AND CHECK</b> .....	4
<b>4 EXPLODED VIEW AND PARTS LIST</b> .....	5
<b>5 PC BOARDS AND PARTS LIST</b> .....	8
<b>6 WIRING DIAGRAM</b> .....	18
<b>7 INCLUDED ACCESSORIES</b> .....	21

# MC-DX50i

## 1 SAFETY INFORMATION

### SAFETY INFORMATION

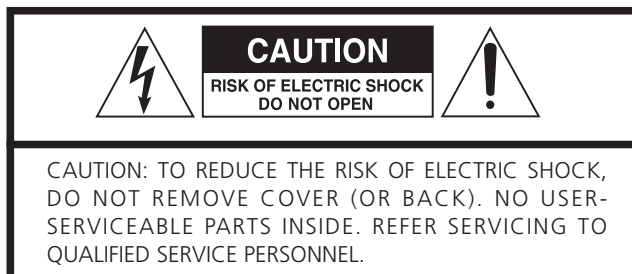
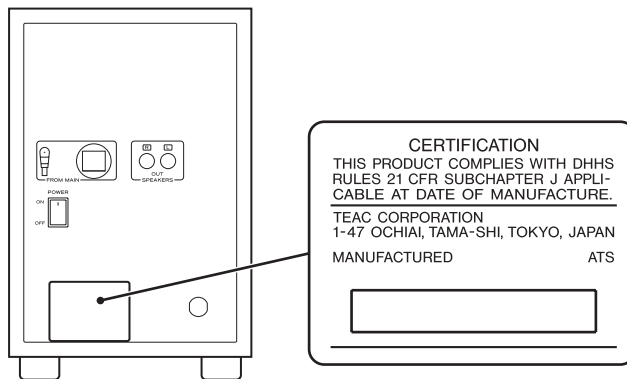
This product has been designed and manufactured according to FDA regulations "title 21, CFR, chapter 1, subchapter J, based on The Radiation Control for Health and Safety Act of 1968" and is classified as class 1 laser product. There is not hazardous invisible laser radiation during operation because invisible laser radiation emitted inside of this product is completely confined in the protective housings. The label required in this regulation is shown ①.

#### • CAUTION

USE OF CONTROLS OR ADJUSTMENT OR PERFORMANCE OF PROCEDURES OTHER THAN THOSE SPECIFIED HEREIN MAY RESULT IN HAZARDOUS RADIATION EXPOSURE.

DO NOT REMOVE THE PROTECTIVE HOUSING USING SCREWDRIVER.

IF THIS PRODUCT DEVELOPS TROUBLE, MAKE A CONTACT WITH OUR SERVICEMAN, AND DO NOT USE THE PRODUCT A TROUBLED STATE.



The lightning flash with arrowhead symbol, within an equilateral triangle, is intended to alert the user to the presence of uninsulated "dangerous voltage" within the product's enclosure that may be of sufficient magnitude to constitute a risk of electric shock to persons.



The exclamation point within an equilateral triangle is intended to alert the user to the presence of important operating and maintenance (servicing) instructions in the literature accompanying the appliance.

Optical pickup :	
Type :	SF-P200Z
Manufacturer :	SANYO ELECTRIC CO., LTD.
Laser output :	Less than 0.5 mW on the objective lens
Wavelength :	765 - 815 nm

## 2 SPECIFICATIONS

### AMPLIFIER section

Output Power (L+R)	5 W + 5 W
Output Power (Subwoofer)	15 W
Input Sensitivity	300 mV
Frequency Response	50 to 20,000 Hz

### TUNER Section (FM)

Frequency Range	87.50 to 108.00 MHz
Sensitivity (S/N30dB)	20 dB $\mu$ V/m

### TUNER Section (AM)

Frequency Range	520 to 1,710 kHz
Sensitivity (S/N20dB)	54 dB $\mu$ V/m

### CD PLAYER Section

Frequency Response	20 to 20,000 Hz ( $\pm$ 1 dB)
Signal-to-Noise Ratio	55 dB
Wow and Flutter	Unmeasurable

### SPEAKER

Type	Full range flat type
Impedance	4 ohms
SUBWOOFER	
Impedance	8 ohms

### GENERAL

Power Requirements	120 V AC, 60 Hz
Power Consumption	80 W
Standby Power Consumption	2.5W

### Dimension (W x H x D)

Main Unit (170 x 255 x 155 mm)	6 3/4" x 10 1/8" x 6 1/8"
L & R Speakers (150 x 255 x 81 mm)	6" x 10 1/8" x 3 1/4"
Subwoofer (160 x 245 x 300 mm)	6 3/8" x 9 3/4" x 11 7/8"
Weight	
Main Unit	2.1 lbs (1.2 kg)
L & R Speakers	1.6 lbs (640 g) each
Subwoofer	11 lbs (5.0 kg)

### Standard Accessories

Standard Accessories	
Remote Control Unit (RC-1185) x 1	
Battery for Remote Control Unit x 1	
Dock adapter x 3 (adapter 60GB (color) + Photo 40GB/60GB premounted)	
Subwoofer Cable x 1	
Speaker Cable x 2	
FM Antenna x 1	
AM Antenna x 1	
Stereo mini plug cable x 1	
Wall mount brackets x 2	
Screw x 4	
Tapered Plastic Wall Anchor x 4	
Template for Wall Mounting x 2	
Owner' Manual x 1	
Quick Guide for Connection x 1	
Warranty Card x 1	

- Design and specifications are subject to change without notice.
- Weight and dimensions are approximate.
- Illustrations may differ slightly from production models.

# MC-DX50i

## 3 ADJUSTMENTS AND CHECKS

### ALIGNMENT PROCEDURES

#### AM I.F. ALIGNMENT

1. Set the POWER BUTTON to POWER "ON".
2. Set the Radio and band button to Radio and AM BAND.
3. Connect a SWEEPSCOPE OUTPUT to AM antenna terminal.
4. Connect a SWEEPSCOPE INPUT to pin17 of IC2 through a 1uf capacitor and ground.

STEP	SET SIGNAL	SET DIAL	ADJUST	ADJUST FOR
1	4455KHz	GANG OPEN	T3	CENTER & MAXIMUM OUTPUT

#### AM R.F. ALIGNMENT

1. Connect an RF generator to a standard radiating loop.
2. Connect a SCOPE and VTVM across the speaker output.

STEP	SET SIGNAL	SET DIAL	ADJUST	ADJUST FOR
1	515KHz	GANG CLOSED	L6	MAXIMUM OUTPUT
2	1640KHz	GANG OPEN	PVC-D	
3	600KHz	1400KHz	L4	
4	1400KHz	1400KHz	PVC-C	
5	REPEAT STEPS 3 AND 4 TO OBTAIN BEST TRACKING.			

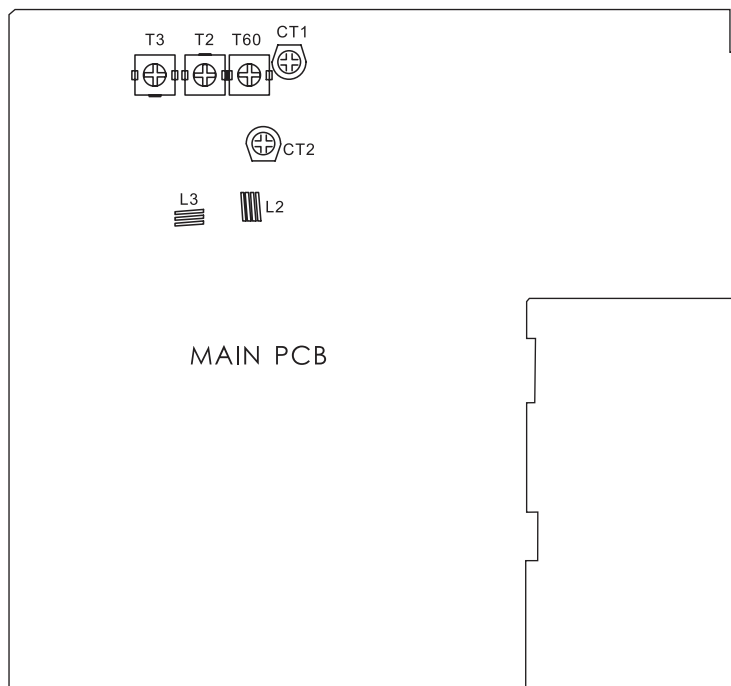
#### FM R.F. ALIGNMENT

1. Connect an RF generator to the FM antenna terminal and ground.
2. Connect a SCOPE & VTVM across the speaker output.

STEP	SET SIGNAL	SET DIAL	ADJUST	ADJUST FOR
1	76MHz	GANG CLOSED	L3	MAXIMUM OUTPUT
2	108MHz	GANG OPEN	PVC-A	
3	90MHz	90MHz	L2	
4	106MHz	1106MHz	PVC-B	
5	REPEAT STEPS 3 AND 4 TO OBTAIN MAX ADJUST.			

#### CD ALIGNMENT

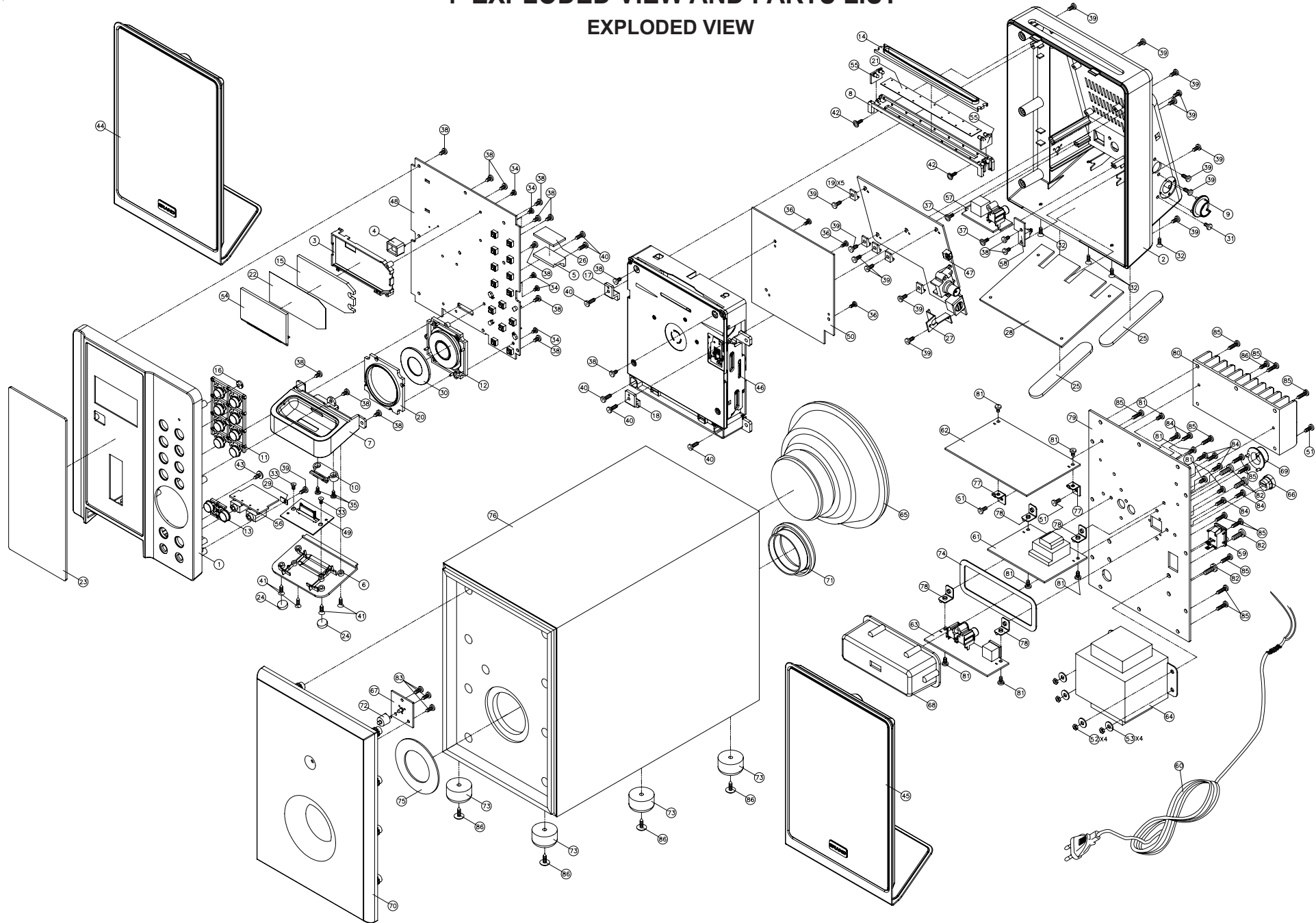
Auto alignment.



# MC-DX50i

## 4 EXPLODED VIEW AND PARTS LIST

### EXPLODED VIEW



# MC-DX50i

## EXPLODED VIEW PARTS LIST

REF.NO.	PARTS NO.	DESCRIPTION	REMARKS
1	56-04DX50100B10	FRONT CAB (HIPS) 931980 428C	
2	56-05DX50100B10	REAR CAB(HIPS) DAB 931980	
3	56-07DX5010910	BACK LIHGT BRACKET 1 (ABS) WHITE	
4	56-07DX50130910	REMOTE CONTROL INCEPT BRACKET (ABS) WHT	
5	56-07DX50140010	LOAD BRACKET (ABS)	
6	56-09DX50100B10	IPOD BRACKET BOTTOM BOARD (ABS) BLACK	
7	56-09DX50110B10	IPOD BRACKET BASE (ABS) BLACK	
8	56-22DX50100B10	CD COVER (ABS) BLACK	
9	56-22DX50120B10	POWER COVER (ABS) BLACK	
10	56-33DX50100B10	IPOD BRACKET FIXING (ABS) BLACK	
11	56-54DX50100A10	FUNCTION KNOB GROUP-1(ABS) SILVER	
12	56-54DX50110A10	FUNCTION KNOB (ABS) BLACK	
13	56-54DX50120A10	FUNCTION KNOB GROUP-2(ABS) SILVER	
14	56-57DX50130010	CD LENS (PMMA)	
15	56-57DX50110010	BACK LIGHT LENS 1 (PMMA)	
16	56-57DX50140010	STANDBY LENS (PMMA) MILK	
17	56-69DX50100000	LOADER PLATE -L(ABS)	
18	56-69DX50100100	LOADER PLATE -R(ABS)	
19	56-69DX50100200	PCB PLATE (ABS) BLACK	
20	56-78DX50100010	FUNCTION KNOB RING (ABS) ELECTROPLATE	
21	57-08DM23000020	PETP PLATE	
22	57-26DX50100020	FILTER SHEET	
23	57-47DX50100020	DISPLAY LENS T=1mm (PC)	
24	58-263102300120	RUBBER FOOT(BLK)(PORON) DIA10mm T=3mm	
25	58-26DX50100021	RUBBER FOOT (PORON) 16x15x3mm	
26	58-58DX50100020	RUBBER PLATE 28X17X2mm	
27	61-11CDX09000020	DS MTEAL PLATE	
28	61-11DX50100020	WEIGHT STEEL 1 115X90mm	
29	61-11EXM5M000020	METAL PLATE 9.5x5x0.8mm	
30	61-30DX50100020	KNOB COVER (ALUMINUM)	
31	66-120330180121	MACHINE SCREW MS/PH 3x8mm (BLACK)	
32	66-120530180121	MACHINE SCREW MS/KH 3x8mm (BLACK)	
33	66-150526150321	SELF TAPPING SCREW TB/KH 2.6x5	
34	66-140326160121	SELF-TAPPING SCREW TA/PH 2.6x6mm (BLACK)	
35	66-140326180121	SELF-TAPPING SCREW TA/PH 2.6x8mm (BLK)	
36	66-140326180321	SELF-TAPPING SCREW TA/PH 2.6x8mm	
37	66-151426180321	SCREW TB/BWH 2.6x8mm HD8.5mm	
38	66-140330180121	SELF-TAPPING SCREW TA/PH 3x8mm (BLACK)	
39	66-140330210121	SELF-TAPPING SCREW TA/PH 3x10mm(BLACK)	
40	66-140330212121	SELF-TAPPING SCREW TA/PH 3x12mm (BLACK)	
41	66-140530210121	SELF-TAPPING SCREW TA/KH 3x10mm (BLACK)	
42	66-140826212321	SELF-TAPPING SCREW TA/WH 2.6x12mm	
43	66-141430210321	SCREW TA/WH 3x10mm HD:10mm	
44	19-50DX50100020	SPEAKER BOX UNIT-L	
45	19-50DX50100120	SPEAKER BOX UNIT-R	
46	20-71DX50100020	CD LOADER #VSH-L33C-0762L (FOR DA23SR)	
47	05-DX5010100001	PCBA-MAIN "UL"	
48	05-DX5010500000	PCBA-MCU/KEY "UL"	
49	05-DX5010800000	PCBA-IPOD "UL"	
50	05-DX5013000000	PCBA-CD "UL"	
51	66-150230180123	HARDEN SCREW BTTB 3x8mm AB(BLACK)	
52	67-021400000020	NUT M4mm	
53	68-112403101000	METAL WASHER 4x10x1mm	
54	13-05DX22100020	LCD DISPLAY	
55		PCBA-CD BACKLIGHT.....	Included in Ref. No. 47 PCBA-MAIN. Refer to page 8.
56		PCBA-AUX&PHONE.....	Included in Ref. No. 47 PCBA-MAIN. Refer to page 8.
57		PCBA-S-VIDEO .....	Included in Ref. No. 47 PCBA-MAIN. Refer to page 8.
58		PCBA-RESET.....	Included in Ref. No. 47 PCBA-MAIN. Refer to page 8.

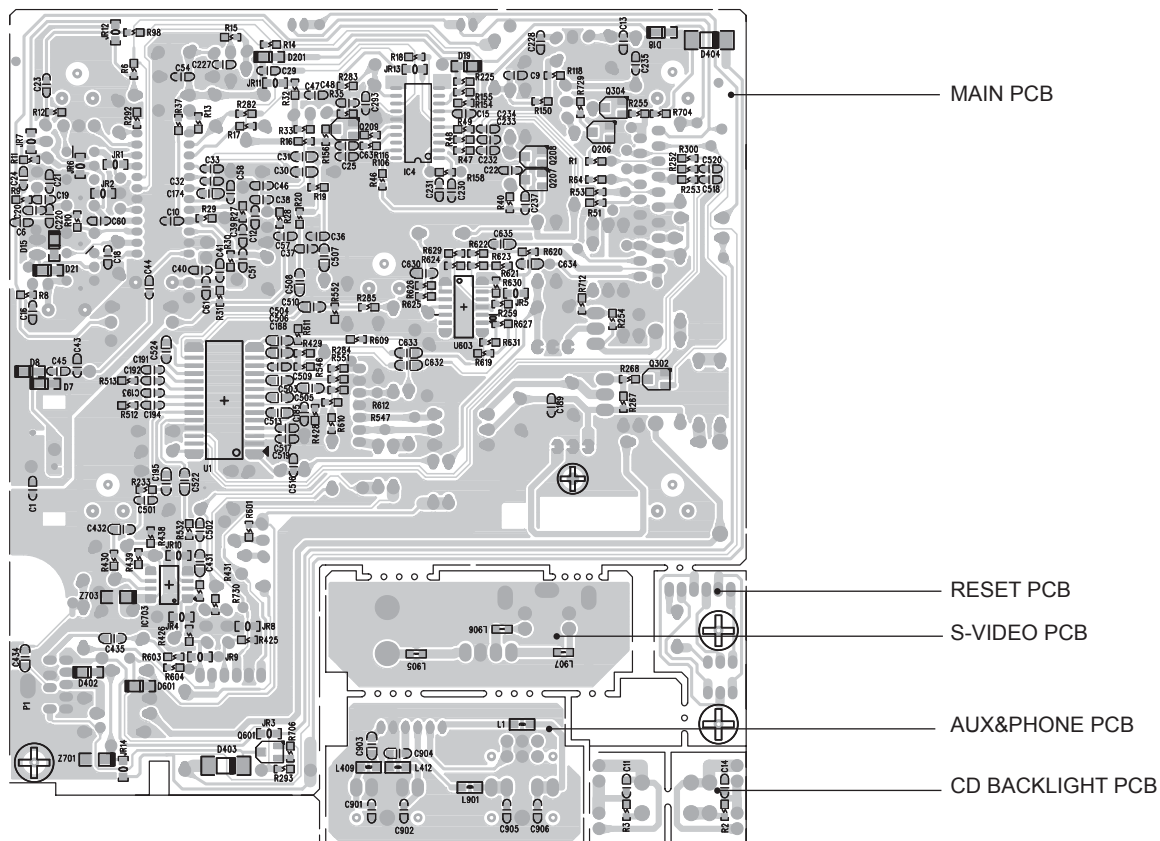
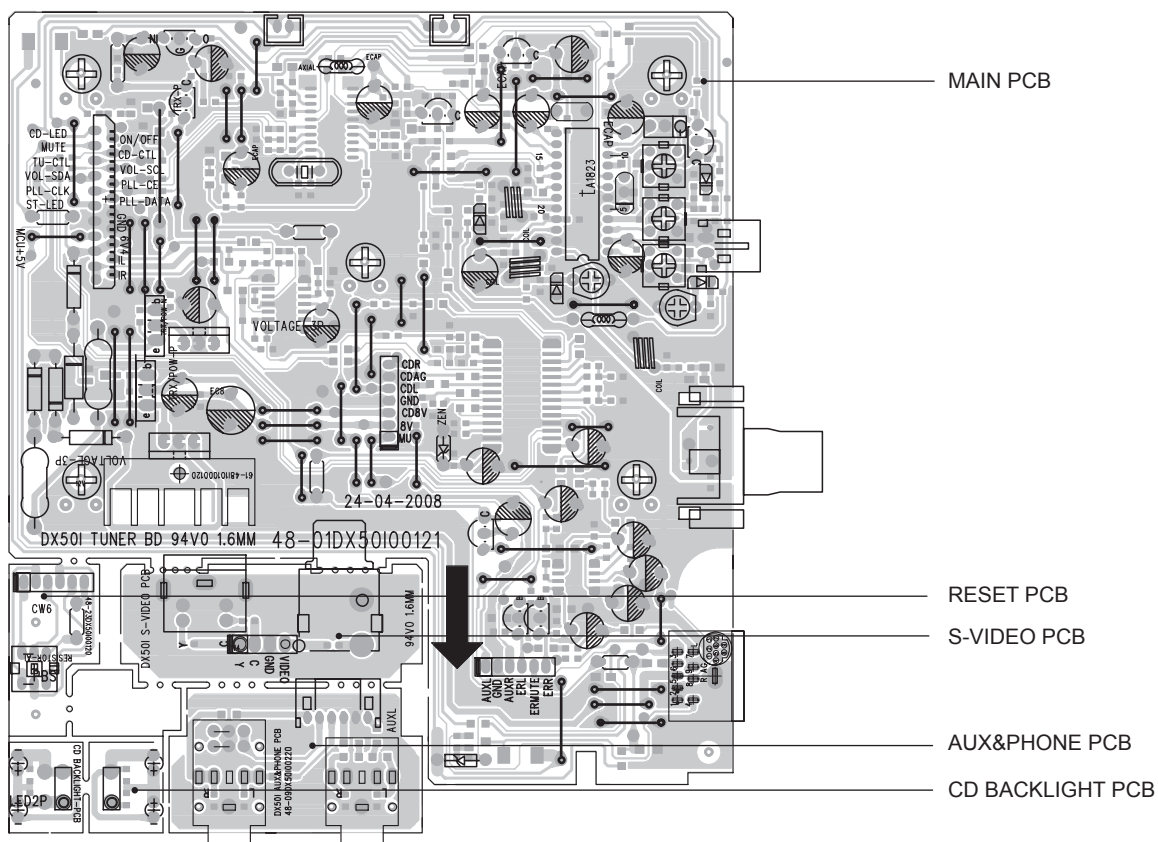
## EXPLODED VIEW PARTS LIST

REF.NO.	PARTS NO.	DESCRIPTION	REMARKS
59	△ 41-172111000310	POWER SWITCH	
60	△ 45-114180310061	AC POWER CORD	
61	05-DX32I0300000	PCBA-STANDBY -120V	
62	05-DX50I0700000	PCBA-SUB POWER	
63	05-DX50I0810000	PCBA-RCA/D-S JACK	
64	△ 18-203DX0150120	H/TRANSFORMER EI66 120V 60Hz TU0000700	
65	190021153300120	SPEAKER 5.25" 8Ω 30W #JHD-SA130-12	
66	43-500000002020	AC CORD BUSHING T=1.6mm #4N4	
67	48-16DX50100220	SUBWOOFER LED PCB	
68	56-22CDX0908000	PCB COVER (ABS)	
69	56-78CD10I0B000	SAFEGUARD RING/SUB (ABS)	
70	56-85DX50I00B10	AKER BOX PANEL (HIPS) 931980 428C	
71	56-87CDX090B000	PLASTIC TUBE (ABS)	
72	56-87DX50I00010	LED COVER (PMMA) MILK	
73	58-263253150020	RUBBER FOOT (PORON) DIA25mm T=15mm	
74	58-58DX01500320	CUSHION (EVA) 106x40x1mm	
75	58-58DX02500020	CIRCLE CUSHION DIA(60+35)x1.5mm	
76	58-73DX50I00000	WOODEN BOX	
77	61-11V600000020	PCB BRACKET	
78	61-11V820010020	PCB FIX BRACKET (B) (T0.8mm) #DV-8200	
79	61-33DX50I00020	SUB.REAR PANEL 120V "TEAC"	
80	61-48DX01500020	HEATSINK A	
81	66-120230160121	MACHINE SCREW MS/BH 3x6mm (BLACK)	
82	66-120240212121	MACHINE SCREW MS/BH 4x12mm (BLACK)	
83	66-140230210321	SELF-TAPPING SCREW TA/BH 3x10mm	
84	66-140230212121	SELF-TAPPING SCREW TA/BH 3x12mm(BLACK)	
85	66-140230214121	SELF-TAPPING SCREW TA/BH 3x14mm(BLACK)	
86	66-141430214121	SCREW TA/BWH 3x14mm(HEAD 10mm)(BLACK)	

# MC-DX50i

## 5 PC BOARDS AND PARTS LIST

### MAIN PCB





## MAIN PCB ASSY PARTS LIST

REF.NO.	PARTS NO.	DESCRIPTION	REMARKS
	05-DX50i0100001	PCBA-MAIN "UL"	
	48-01DX50i00121	MAIN/AUX/REST/LED PCB 94V0 141X132x1.6mm	
CF1	31-038107020120	DISCRIMINATOR FILTER JT10.7MG46-A (2PIN)	
CF2	31-028107000210	CERAMIC FILTER LT10.7MA5-A(3PIN) RED	
CF3	31-026450010110	CERAMIC FILTER (MURATA) SFU450B	
CT1	27-501602202020	TRIMMER 20PF 6mm (RED)	
CT2	27-501602101020	TRIMMER 10PF 6mm (WH)	
D7,8,151,18,19,21, D201,402,601	12-BAS316000021	SMD DIODE BAS316 (319801010630)	
D301,305	12-RL2020000021	RECTIFIER DIODE RL-202 2A 100V	
D403,404	12-SS1400000025	SMD DIODE SS14 SMA/DO-214AC	
IC4	16-TC9257F00021	IC (TOSHIBA) TC9257FG	
IC5	16-UE1823D00021	IC UE1823D SDIP24	
IC703	16-NJM4556AM021	CHIP IC (NJRC) NJM4556AM (932207733685)	
L2	40-351500125020	FM COIL 5x2.5T (0.8mm)	
L3,5	40-351500135020	FM COIL 5x3.5T (0.8mm)	
L9,10	38-013100050220	AXIAL INDUCTOR 10UH +-10% 500mA EC-36	
JK1	43-421000003120	COAXIAL JACK IF-01	
Q206,207,208, Q302,304	11-PMBT39040021	SMD TRANSISTORS PMBT3904 SOT23 (PHILIPS)	
Q401	11-8050C0000025	TRANSISTORS 2W 8050C (TAPING)	
Q4,5,8	11-9018G0000021	TRANSISTORS 9018G	
Q601	11-PMBT39060021	SMD TRANSISTORS PMBT3906 SOT23 (PHILIPS)	
Q602,603	11-2SD1936T0125	TRANSISTORS 2SD1936T-AC (SANYO) (TAPING)	
Q703,704	11-B772Y0000121	TRANSISTORS B772Y (160-320)(TO-126C)	
Q712	11-8550C0000025	TRANSISTORS 2W 8550C (TAPING)	
T2	40-02660R002020	I.F.T 7mm 660R (RED)	
T3	40-02A049004020	I.F.T 7mm A049 (YELLOW)	
T60	40-023120000020	I.F.T 7mm 312A (BLACK)	
U001	16-UTC780800121	IC UTC7808(TO-220) (1.5A)	
U1	16-ET2314000021	IC (ETEK) ET2314 (SOP28)	
U201	16-LM78L0500121	IC (LIBERAL) LM78L05 (933510720676)	
U301	16-UTC7810000021	IC UTC7810 (TO-220) (1.5A)	
U603	16-LM324D000021	IC SM LM324D (933984860668)	
VD1,2	12-V14900000021	VARICAP DIODE V149	
VD3,4	12-V10100000021	VARICAP DIODE V101	
X201	31-017720002020	CRYSTAL 49/U 7.2MHZ +-30PPM	
ZD3	12-011620320121	ZENER DIODE +-5% 6.2V 1/2W	
	48-16DX50i10120	CD BACKLIGHT PCB	
LED1,2,3,4	13-011206322020	LED LAMP 2x4x4mm(S.BLUE)1L2445B12E0CJ001	
	48-09DX50i00220	AUX&PHONE PCB	
L1,409,412,901	38-013100060220	CHIP INDUCTOR 10UH 1.15 OHM (0805)	
AUX1	43-431350012120	PHONE JACK 3.5mm TC38-399-51-01BLK+METAL	
HEADPHONE1	43-431360004120	PHONE JACK 3. mmTC-38-399-05-01BLK+METAL	
	48-10DX50i00120	S-VIDEO PCB	
L905,90 ,907	38-012220050120	CHIP INDUCTOR 2.2UH +-10% (1 08)	
JK2	43-451100014020	RCA JACK 1P (YELLOW) RJ1P070044-44-0	
JK3	43-462103000120	D-S TERMINAL #DS-15	
CN-DC1	43-462103003321	D-S TERMINAL #DSW-31 R1	
	48-23DX50i00120	RESET PCB	
SW801	41-180010000020	PUSH SWITCH 7x7mm PS-2203-F(W/O LOCK)	

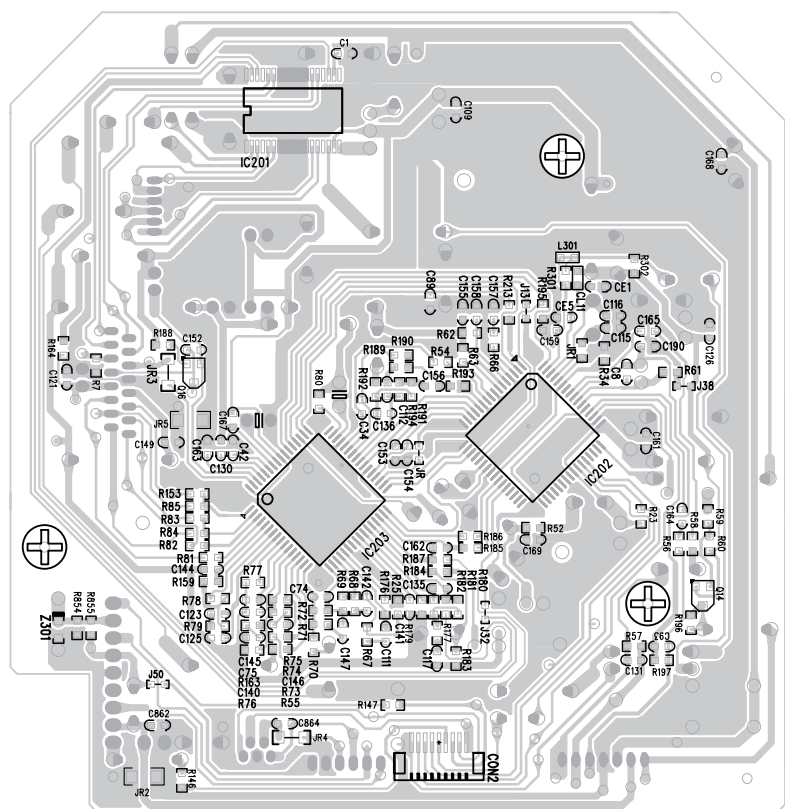
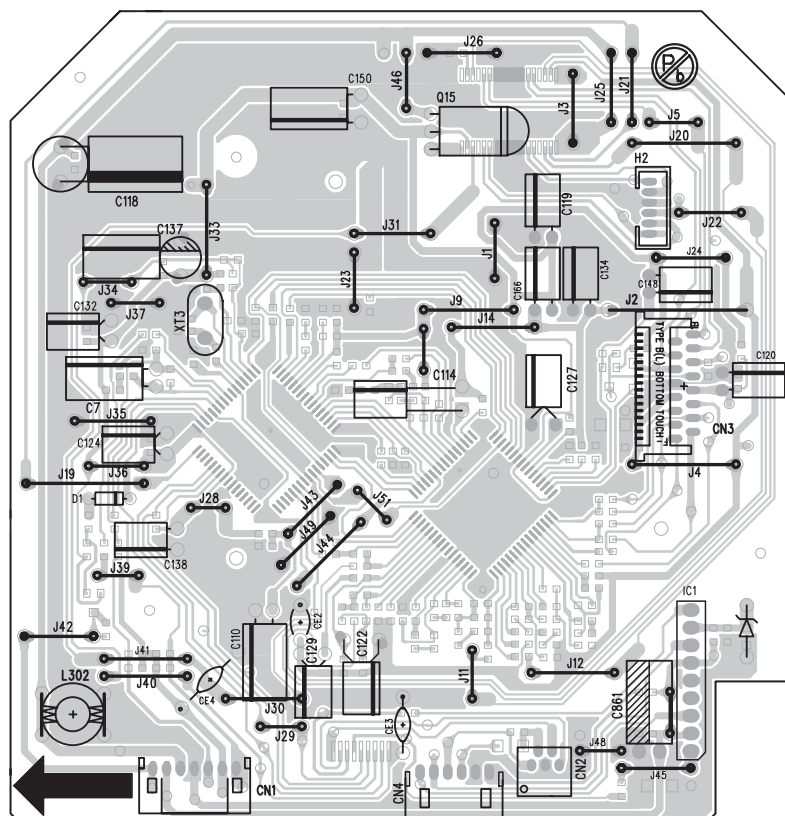


## MCU/KEY PCB ASSY PARTS LIST

REF.NO.	PARTS NO.	DESCRIPTION	REMARKS
	05-DX50I0500000	PCBA-MCU/KEY "UL"	
	48-05DX50I00120	MCU/KEY PCB 94V0 171X160x1.6mm	
A2	12-BAS316000021	SMD DIODE BAS316 (319801010630)	
CN5	43-022200140120	WAFER 2mm 4P 90C	
CON1	43-022125220220	SMD F.F.C WAFER 1.25mm 20P 90C	
CON3	43-022100215420	SMD F.F.C WAFER 1mm 15P 90C	
CON4	43-022100190120	SMD F.F.C.WAFER 1mm 9P 90C	
D8	12-1N5819000021	RECTIFIER DIODE 1N5819	
D15,17,23,24,26,401	12-1N4148000125	DIODE 1N4148 (T=52mm)	
D33,34	12-1N60P0000021	DIODE IN60P	
L6,8	32-031351600025	FERRITE BEAD 3.5x6x0.8TB (TAPING)	
L303,4	32-033600A00020	SMD FERRITE BEAD (0805) 10Ω	
L401,402,403,404	32-035270600115	SMD FERRITE BEAD 2700Ω +-25% (1608)	
LCD1	13-05DX22I00020	LCD DISPLAY SDH-DA1292-TP-1	
LED,LED1	13-011200121020	LED LAMP 2x4mm (WHITE) LF244W3CJ-1A/01/P	
Q7,26	11-KTC9014S0025	SMD TRANSISTORS KTC9014S-C (KEC)	
Q23,24,27,30	11-MMBT80500021	SMD TRANSISTORS MMBT8050D (SOT23)	
Q28,36	11-MMBT85500021	SMD TRANSISTORS MMBT8550D (SOT23)	
R38,39,121	38-013100060020	CHIP INDUCTOR 10UH 1.85Ω (0603)	
Q401,504	11-9014C0000025	NPN TRANSISTORS 9014C (TAPING)	
Q503	11-8550C0000025	TRANSISTORS 2W 8550C (TAPING)	
REM1	17-05FM60380012	OPTIC SENSER (OPTO..) FM-6038TM2-5AN	
STBY-LED	13-011306022011	LED LAMP 3mm (S.BLUE) LA304B2MA1A03	
SW1,2,3,4,5,8,9,10, SW11,12,13,15,16,21	41-150010050020	TACT SWITCH 6x6mm 5mm (250g+-20g)4LEGS	
U1	16-GY5560000121	IC GY556 (GENNY)(SMD) MASKING	
U3	16-UTC780500021	IC UTC7805 (TO-220) (1.5A)	
U303	16-CPV112000031	IC CP-V112 V2.0B CLASS 2 (BY TEAC)	
XT1	31-018169302220	CRYSTAL 16.9344MHZ HC-49/US +-20PPM	
XT2	31-015320003310	CRYSTAL 32.768KHZ (3x8mm)+-20PPM	
ZD4	12-011510320125	ZENER DIODE +-5% 5.1V 1/2W (T=52mm)	
ZD5	12-011270320121	ZENER DIODE +-5% 2.7V 1/2W	

# MC-DX50i

CD PCB

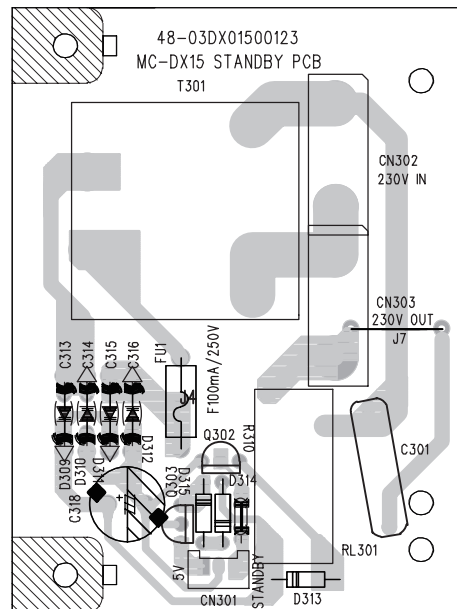
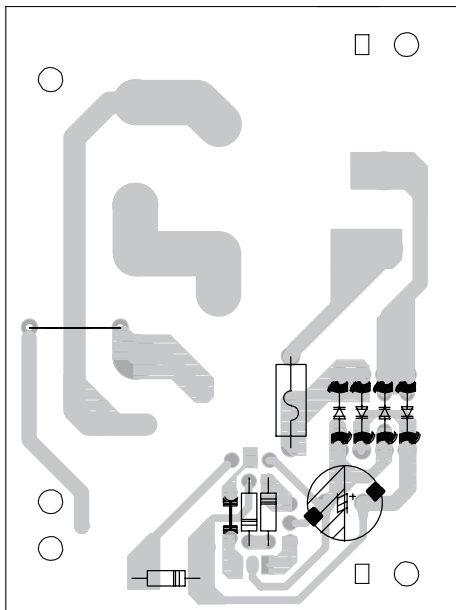


## CD PCB ASSY PARTS LIST

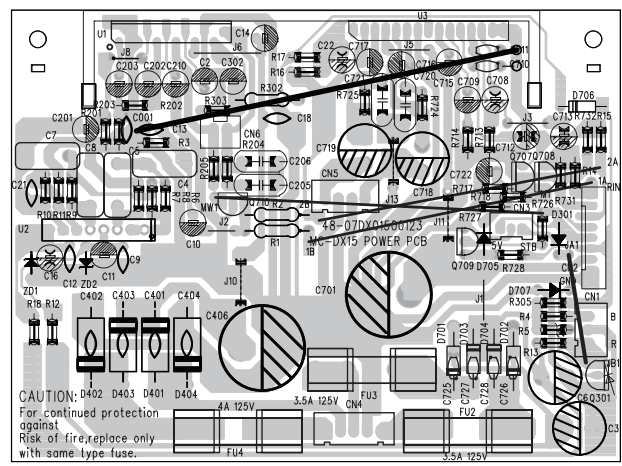
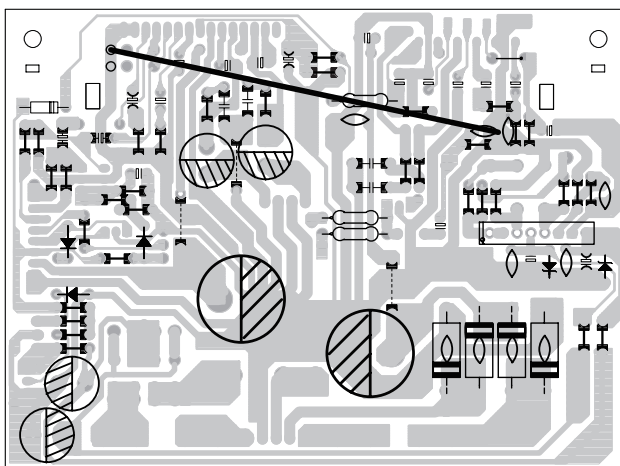
REF.NO.	PARTS NO.	DESCRIPTION	REMARKS
	05-DX50I3000000	PCBA-CD "UL"	
	48-30DX50I00120	CD PCB 94V0 226x124x1.6mm(2PCS)	
CE2,3,5	25-015100960121	CERAMIC CAP 0.001UF 50V +80%-20%	
CL11	32-03A253700020	SMD FERRITE BEAD (0603) 600Ω +-5%	
CN1	43-022200170120	WAFER 2mm 7P 90C	
CN2	43-022100150120	F.F.C WAFER 1mm 5P 90C	
CN3	43-022100216220	F.F.C.WAFER 1mm 16P 90C	
CN4	43-022200160120	WAFER 2mm 6P 90C	
CON2	43-022100190120	SMD F.F.C.WAFER 1mm 9P 90C	
D1	12-1N4148000021	DIODE 1N4148	
H2	43-012150160320	WAFER 1.5mm 6P 180C (DA23 & SAMSUNG CD)	
IC1	16-TA7291S00021	IC (TOSHIBA) TA7291S	
IC201	16-LA6541000221	IC (SANYO) LA6541NHL-TE-L-E (HSOP28)	
IC203	16-LA9242M00021	IC (SANYO) LA9242M-MPB-E	
IC202	16-LC78603E0021	IC (SANYO) LC78603E-8628E	
Q14,16	11-MMBT85500021	SMD TRANSISTORS MMBT8550D (SOT23)	
Q15	11-2SB764E00021	TRANSISTORS 2SB764-E (SANYO)	
XT3	31-018169302220	CRYSTAL 16.9344MHZ HC-49/US +-20PPM	

# MC-DX50i

## STANDBY PCB



## SUB POWER PCB



## STANDBY PCB ASSY PARTS LIST

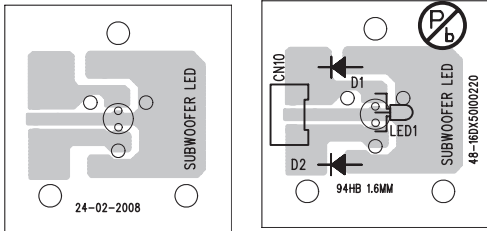
REF.NO.	PARTS NO.	DESCRIPTION	REMARKS
	05-DX32I0300000	PCBA-STANDBY -120V	
	48-03DX01500123	STANDBY PCB 60x80mm 94V0 R3	
C301	△ 25-056102040111	"MT-FILM CAP 0.01UF 275V +-10% ""OKAYA""	
C313,314,315,316	25-016200940121	CERAMIC CAP 0.02UF 50V +-10%	
CN301	43-012200130120	WAFER 2mm 3P 180C	
CN302,303	67-102200240020	EYELET 2x4mm	
D309,310,311, D312,313	△ 12-1N4001000021	RECTIFIER DIODE 1N4001 1A 50V	
FU1	△ 46-074100300020	SUBMINIATURE FUSE D8.5xH8mm 100mA/250V	
RL301	△ 46-50MC23000000	RELAY ME-7-009 HL(MASSUSE) 9V 10A 6.75V	
Q302	11-9014C0000021	NPN TRANSISTORS 9014C	
Q303	16-LM78L0500121	IC (LIBERAL) LM78L05 (933510720676)	
T301	18-203DX32I0190	TRANSFORMER 120V EI-28 HF-U28B39	

## SUB POWER PCB ASSY PARTS LIST

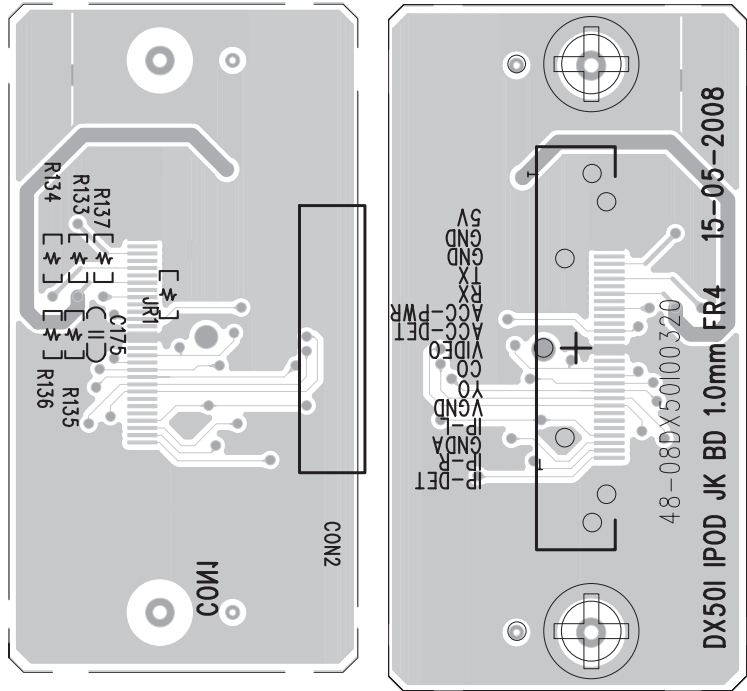
REF.NO.	PARTS NO.	DESCRIPTION	REMARKS
	05-DX50I0700000	PCBA-SUB POWER	
	48-07DX01500123	POWER(AMP) PCB 115x85mm 94V0 R3	
C406	26-017470950111	E.CAP 4700UF 35V +-20% (PH) 85C	
C701	26-017470850121	E.CAP 4700UF 25V +-20% 85C	
C718,719	26-017100750121	E.CAP 1000UF 16V +-20% 105C	
CN1	43-012250130120	WAFER 2.5mm 3P 180C	
CN2	43-012200190120	WAFER 2mm 9P 180C	
CN3	43-012200130120	WAFER 2mm 3P 180C	
CN4	43-012250150120	WAFER 2.5mm 5P 180C	
CN5	43-012250140120	WAFER 2.5mm 4P 180C	
CN6	43-012250120120	WAFER 2.5mm 2P 180C	
D001	12-011390320121	ZENER DIODE +-5% 3.9V 1/2W	
D002,705,707	12-1N4148000021	DIODE 1N4148	
D301,706	△ 12-1N4001000021	RECTIFIER DIODE 1N4001 1A 50V	
D401,402,403,404	△ 12-1N5401000021	RECTIFIER DIODE 1N5401 3A 100V	
D701,702,703,704	△ 12-RL2020000021	RECTIFIER DIODE RL-202 2A 100V	
F001	△ 46-402500001010	FUSE HOLDER D-052 (PAK HOP)	
Q301	11-9014C0000021	NPN TRANSISTORS 9014C	
Q707,708,710	11-2SD1936T0021	TRANSISTORS 2SD1936T-SSH (SANYO)	
U3	16-BA5417000021	IC (ROHM) BA5417	
U2	16-UTC4558L0021	IC UTC4558L (SIP-8-2.54) DIP	
U1	16-TA8216H00021	IC (TOSHIBA) TA8216H	
ZD1,2	12-011910320121	ZENER DIODE +-5% 9.1V 1/2W	

# MC-DX50i

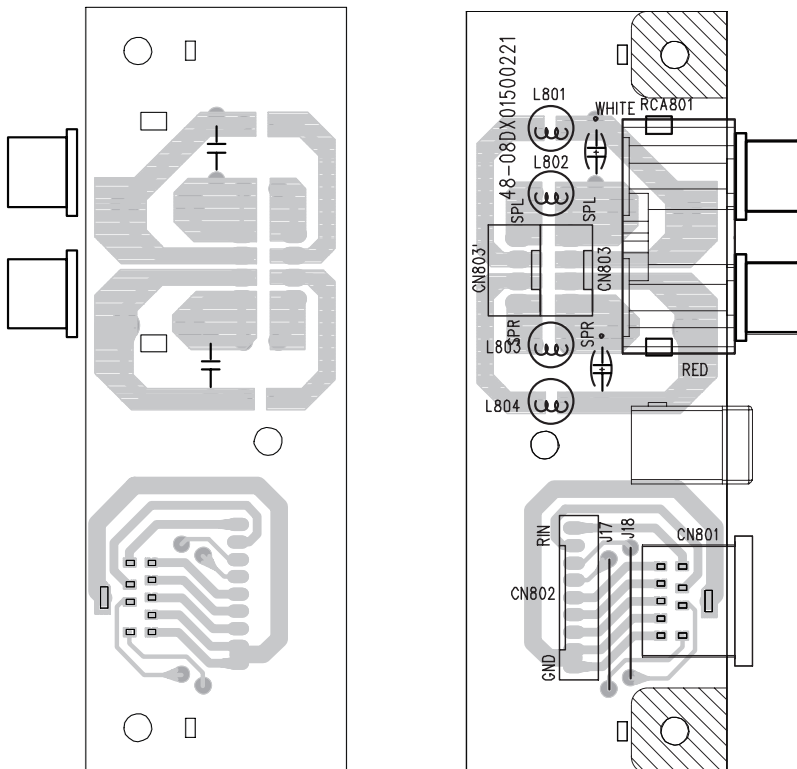
## SUBWOOFER LED PCB



## IPOD PCB



## RCA JACK PCB





## SUBWOOFER LED PCB ASSY PARTS LIST

REF.NO.	PARTS NO.	DESCRIPTION	REMARKS
	48-16DX50i00220	SUBWOOFER LED PCB	
	48-16DX50i00220	SUBWOOFER LED PCB 94HB 30x30x1.6mm	
CN10	44-336355053620	3P RAINBOW WIRE 550mm HSG(2.5)x1	
D1,D2	12-1N4148000021	DIODE 1N4148	
LED1	13-011309022020	LED LAMP 3mm(ORANGE/BLUE)LA309A2B2MA-C1	

## IPOD PCB ASSY PARTS LIST

REF.NO.	PARTS NO.	DESCRIPTION	REMARKS
	05-DX50i0800000	PCBA-IPOD "UL"	
	48-08DX50i00320	IPOD PCB FR4 46x30x1.0mm	
CON1	43-011500230V30	IPOD SOCKET 0.5mm 30P 180C (BY TEAC)	
CON2	43-022100215420	SMD F.F.C WAFER 1mm 15P 90C	

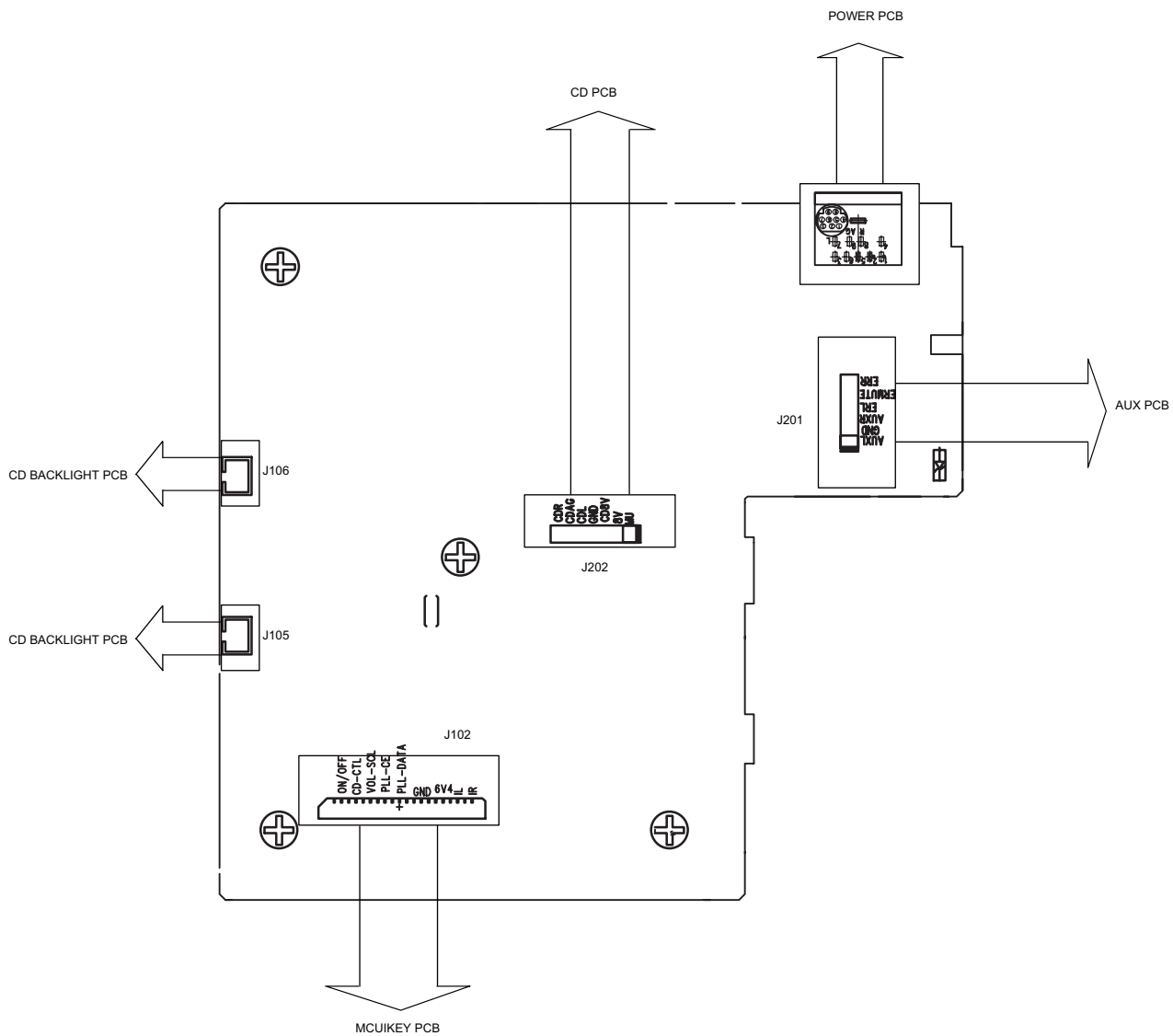
## RCA JACK PCB ASSY PARTS LIST

REF.NO.	PARTS NO.	DESCRIPTION	REMARKS
	05-DX50i0810000	PCBA-RCA/D-S JACK	
	48-08DX33B00220	RCA JACK PCB 94HB 88x30x1.6mm	
CN801	43-462103003321	D-S TERMINAL #DSW-31 R1	
CN802	44-365315059620	9P SHIELD/WIRE L=150mm HSG(2)x1	
CN803	44-316315054320	4P WIRE L=150mm HSG(2.5)x1 (UL1007#22)	
L801,802,803,804	38-103100050320	CHOKE COIL 10UH +-10% D6x8 mm 1A	
SPL	43-451200006120	H/RCA JACK 2P (RD/WH) TC58-345-32	

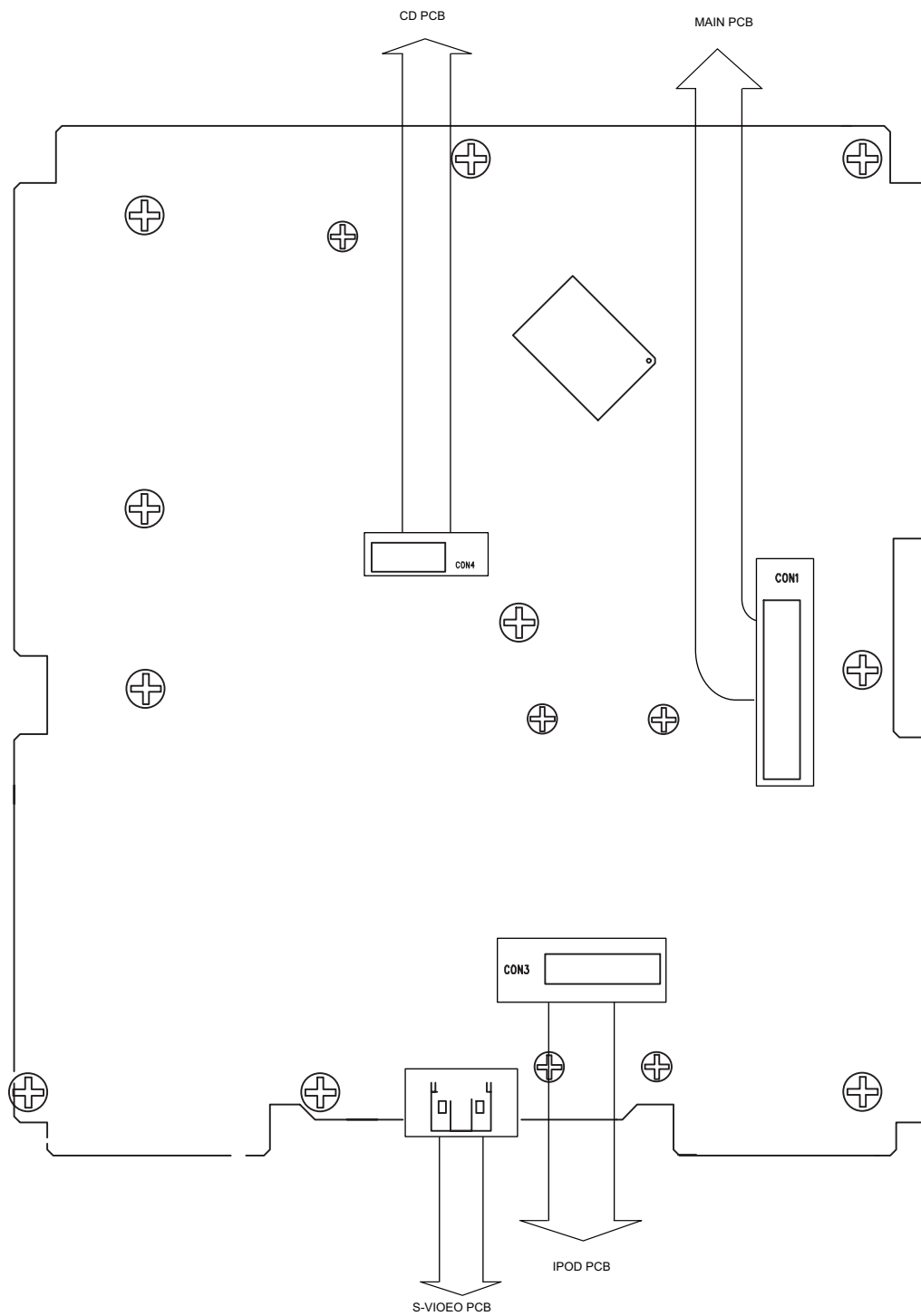
# MC-DX50i

## 6 WIRING DIAGRAM

MAIN PCB

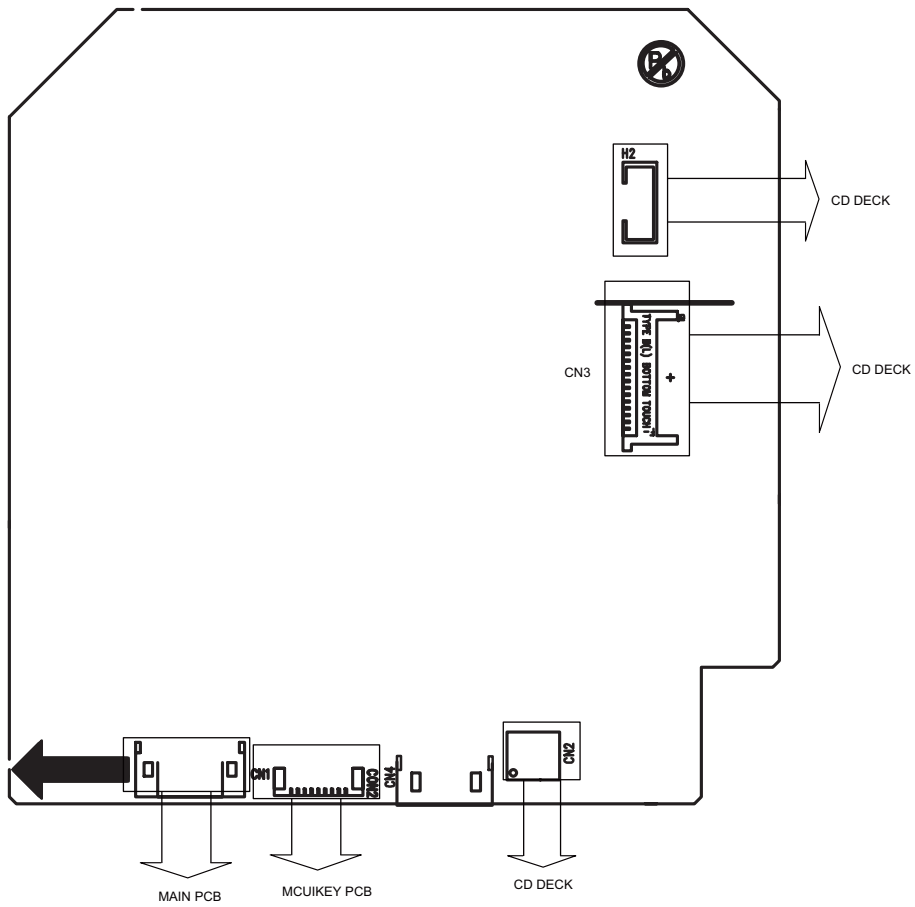


## MCUIKEY PCB

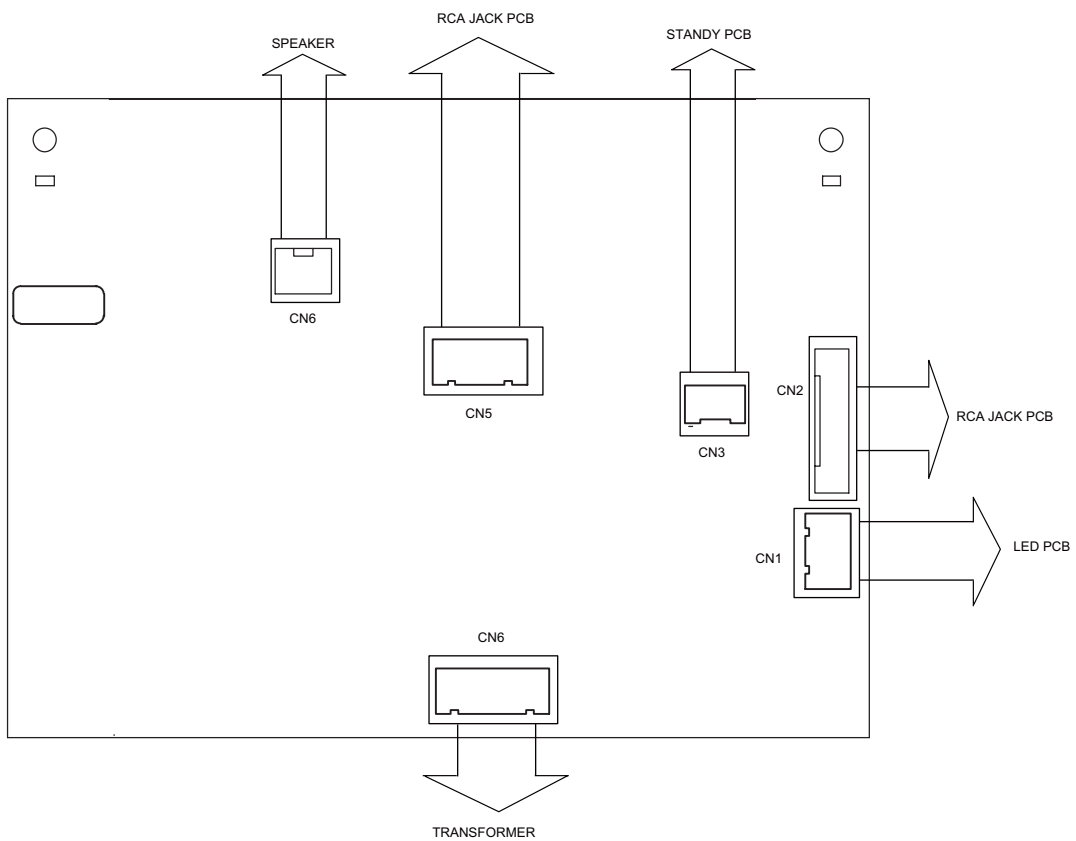


# MC-DX50i

## CD PCB



## POWER PCB



## 7 INCLUDED ACCESSORIES

### INCLUDED ACCESSORIES

PARTS NO.	DESCRIPTION	REMARKS
02-17DX5011700	REMOTE CONTROL UNIT RC-1185	
77-20DX50100021	INSTRUCTION MANUAL (E/F/S)	
77-21DX50100220	INSTRUCTION SHEET, CONNECTION	
32-07DX01500020	AM LOOP ANTENNA (BLACK)	
45-194100000220	FM ANT (BLACK) 1M "CE" ROUND+	
56-07SRLXIBB000	INSERT 7(ABS) 60GB(COLOR)+PHOTO 40GB/60GB iPod Dock Adapter	
56-07SRLXICB000	INSERT 8(ABS) 20GB+U2 iPod Dock Adapter	
56-07SRLXIGB000	INSERT 2 (ABS) NANO iPod Dock Adapter	
77-21DX50100020	WALL MOUNT INSTRUCTION (E/F/S)	
45-263500000220	CONNECT CORD 3.5 ST/PLUGx2	
45-164180151120	Speaker cable, 1P SPK CORD w/RED RCA PLUGS	
45-164180051120	Speaker cable, 1P SPK CORD w/WHITE RCA PLUGS	
56-07DX0155B010	WALL MOUNT ADAPTOR	
45-244240059120	9P S. TERMINAL CABLE	
51-021301000080	LITHIUM BATTERY CR2032 (GP)	

# MC-DX50i

---

# TEAC

---

SKTE-SM0808004

---

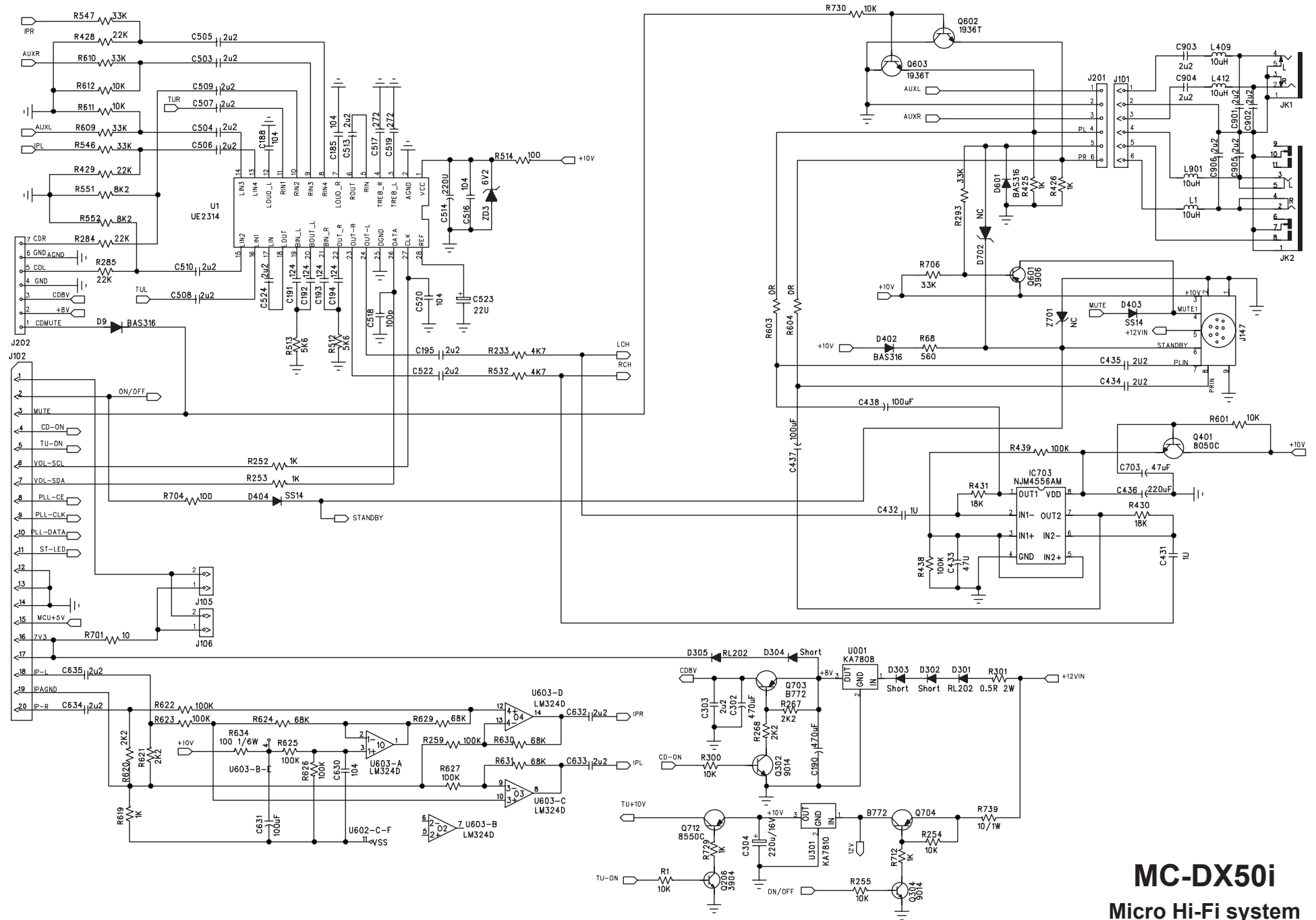
<b>TEAC CORPORATION</b>	1-47, Ochiai, Tama-shi, Tokyo 206-8530, Japan Phone: (042) 356-9155
TEAC AMERICA, INC.	7733 Telegraph Road, Montebello, California 90640 Phone: (323) 726-0303
TEAC CANADA LTD.	5939 Wallace Street, Mississauga, Ontario L4Z 1Z8, Canada Phone: (905) 890-8008
TEAC MEXICO, S.A. De C.V	Río Churubusco 364, Colonia Del Carmen, Delegación Coyoacán, CP 04100, México DF, México Phone:(5255)5010-6000
TEAC UK LIMITED	Unit 19 & 20, The Courtyards, Hatters Lane, Watford, Hertfordshire, WD18 8TE, U.K. Phone: (0845) 130-2511
TEAC EUROPE GmbH	Bahnstrasse 12, 65205 Wiesbaden-Erbenheim, Germany Phone: 0611-71580

---

AUG 2008

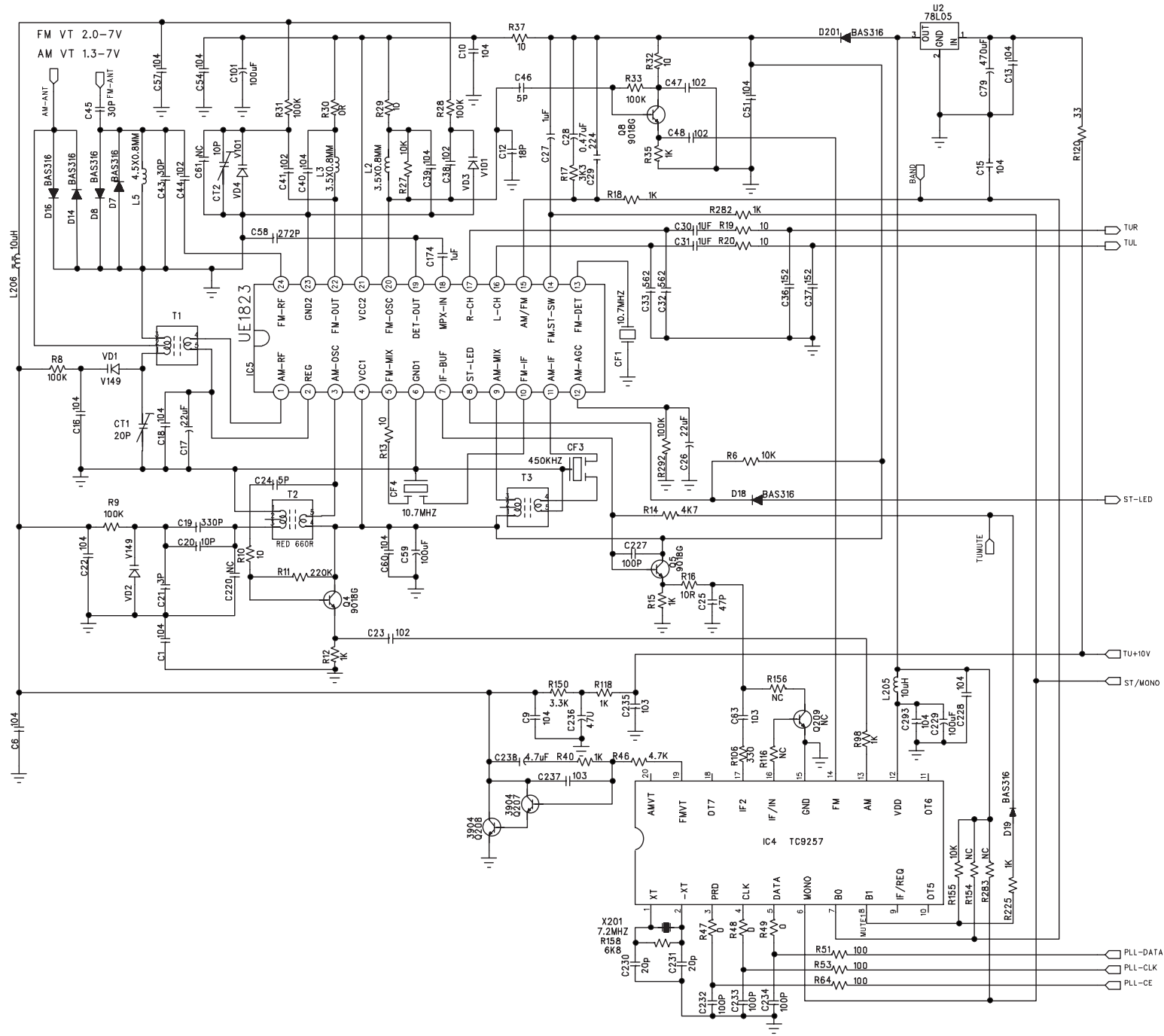
PREPARED IN CHINA

# MAIN PCB



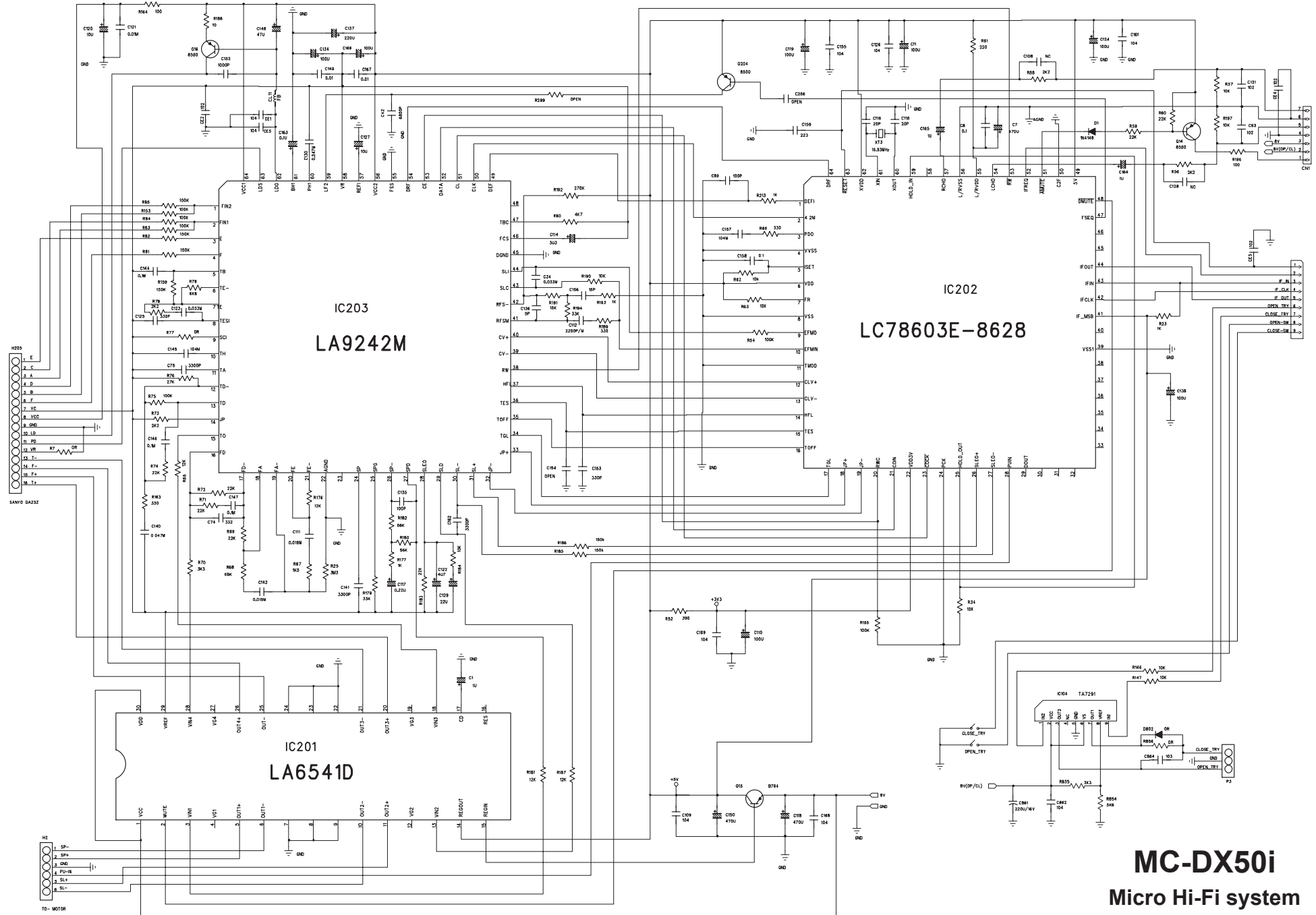
**MC-DX50i**  
Micro Hi-Fi system

MAIN PCB

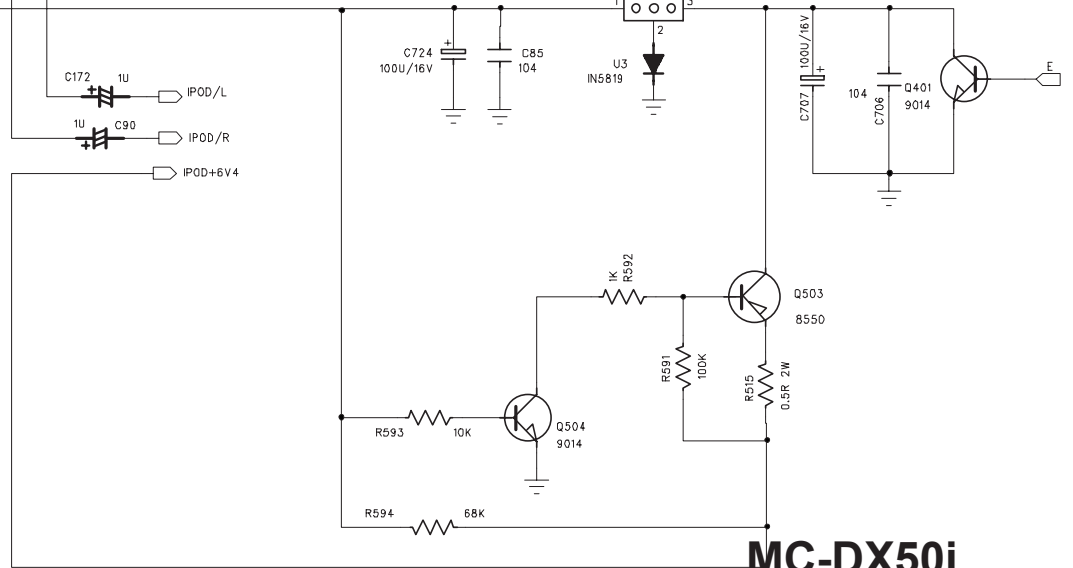
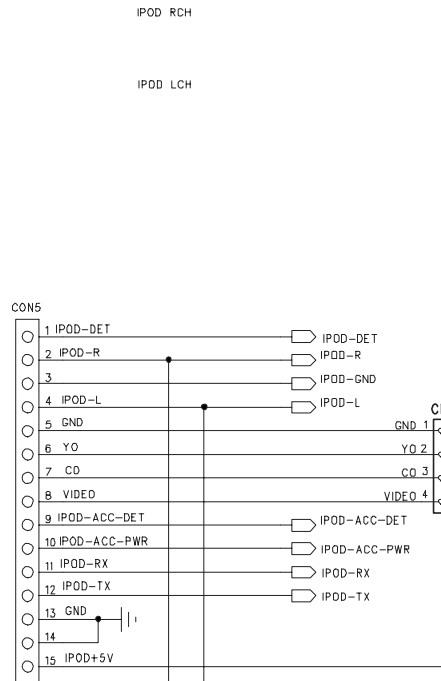
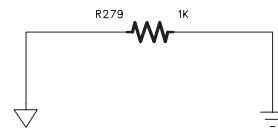
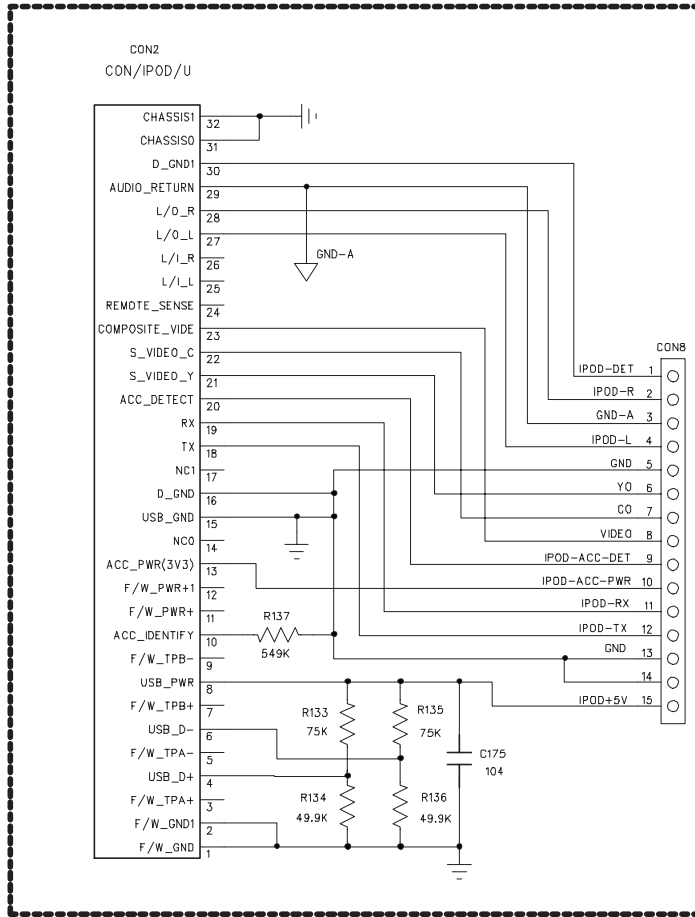


**MC-DX50i**  
Micro Hi-Fi system



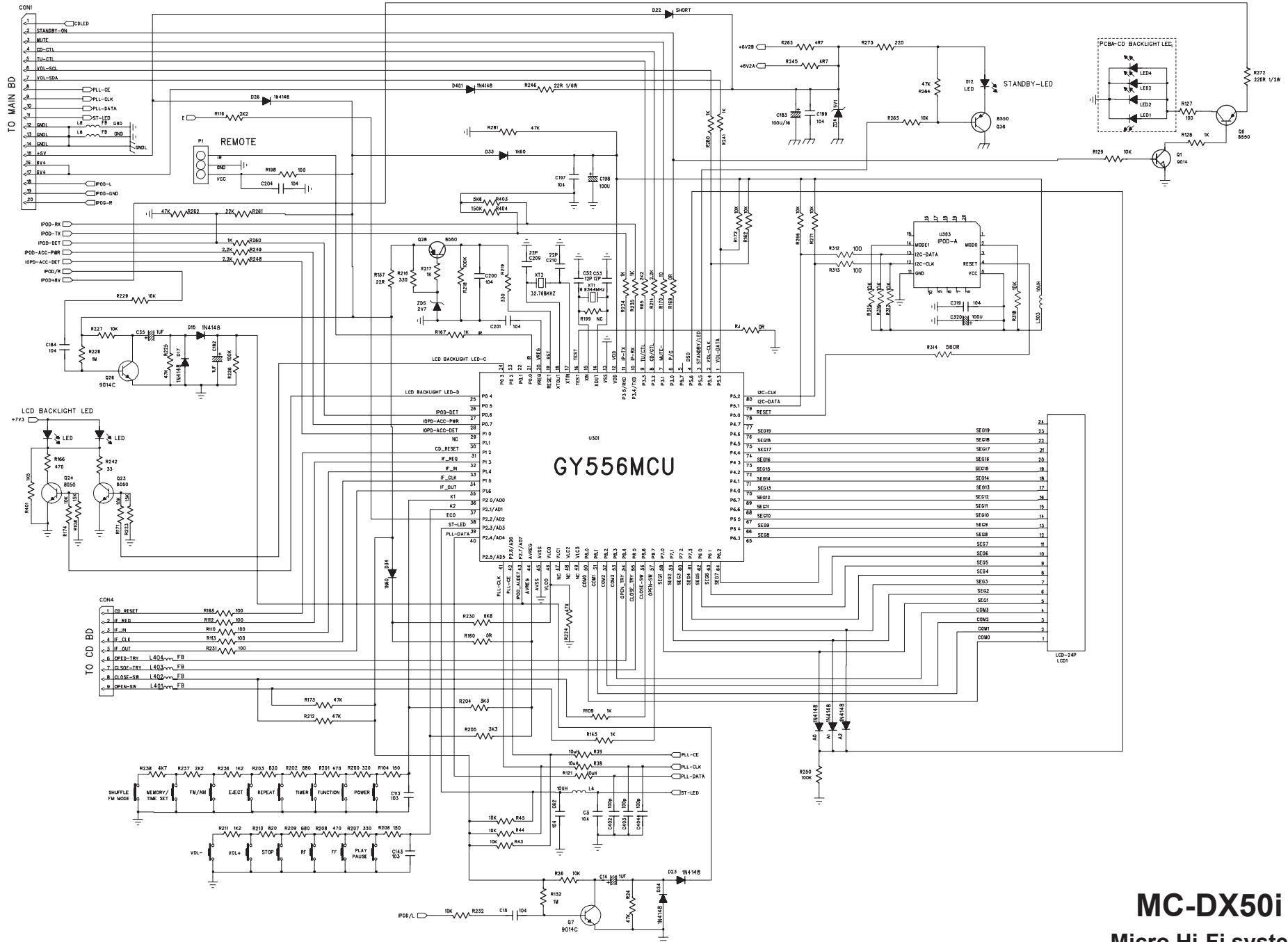


**MC-DX50i**  
Micro Hi-Fi system



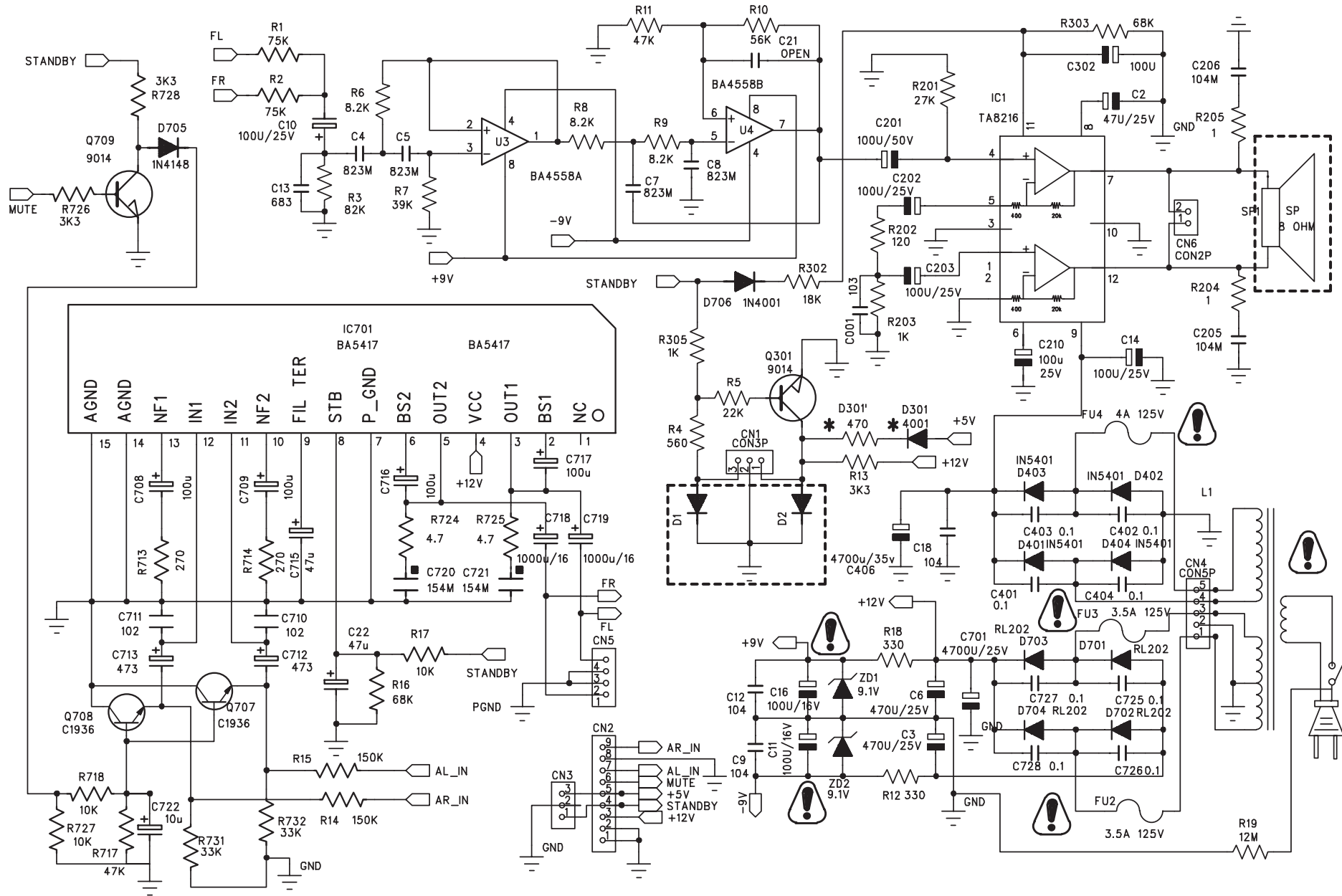
**MC-DX50i**  
Micro Hi-Fi system

MUC/KEY PCB



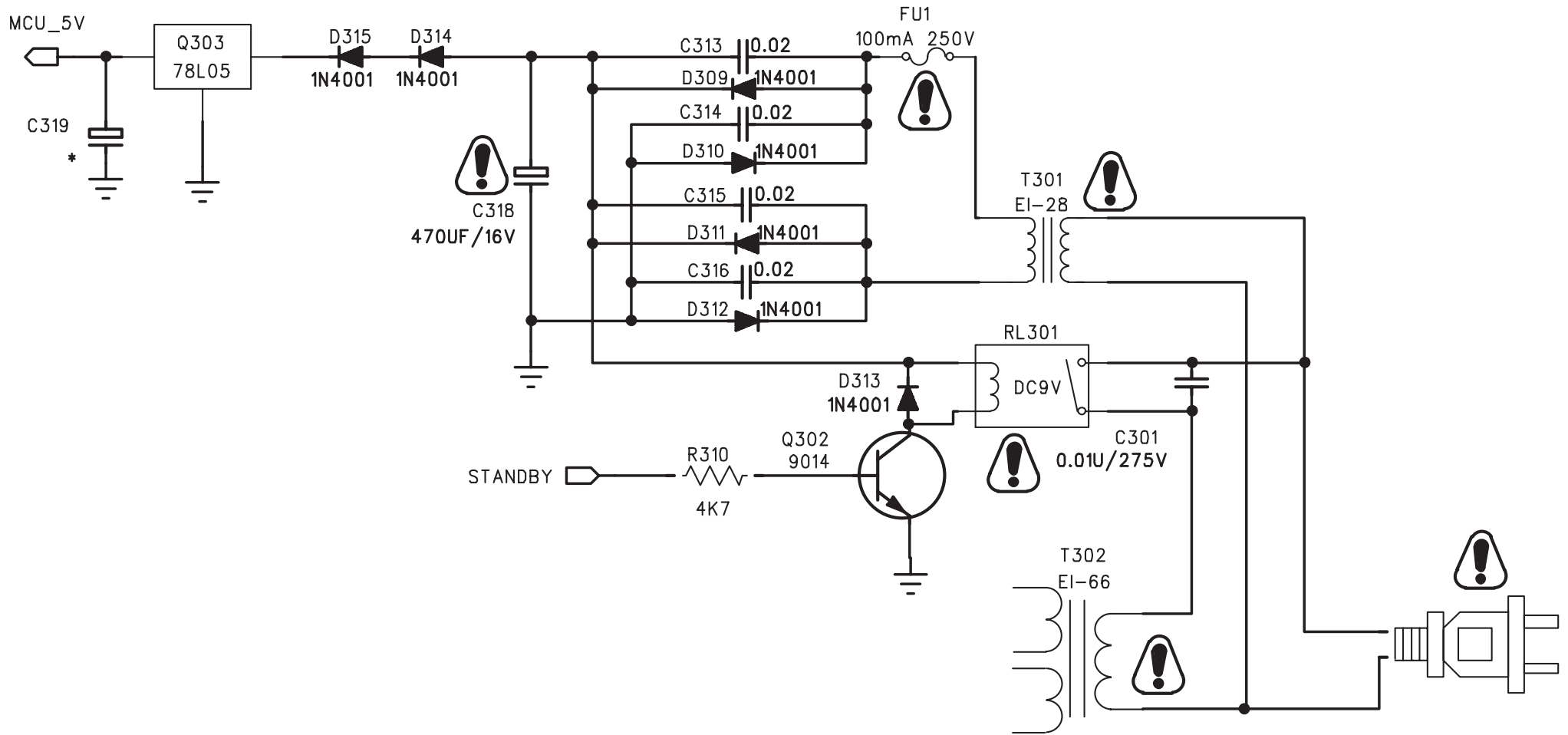
**MC-DX50i**  
Micro Hi-Fi system

POWER+USB-WOOFER PCB



**MC-DX50i**  
Micro Hi-Fi system

STANDBY PCB



**MC-DX50i**  
Micro Hi-Fi system